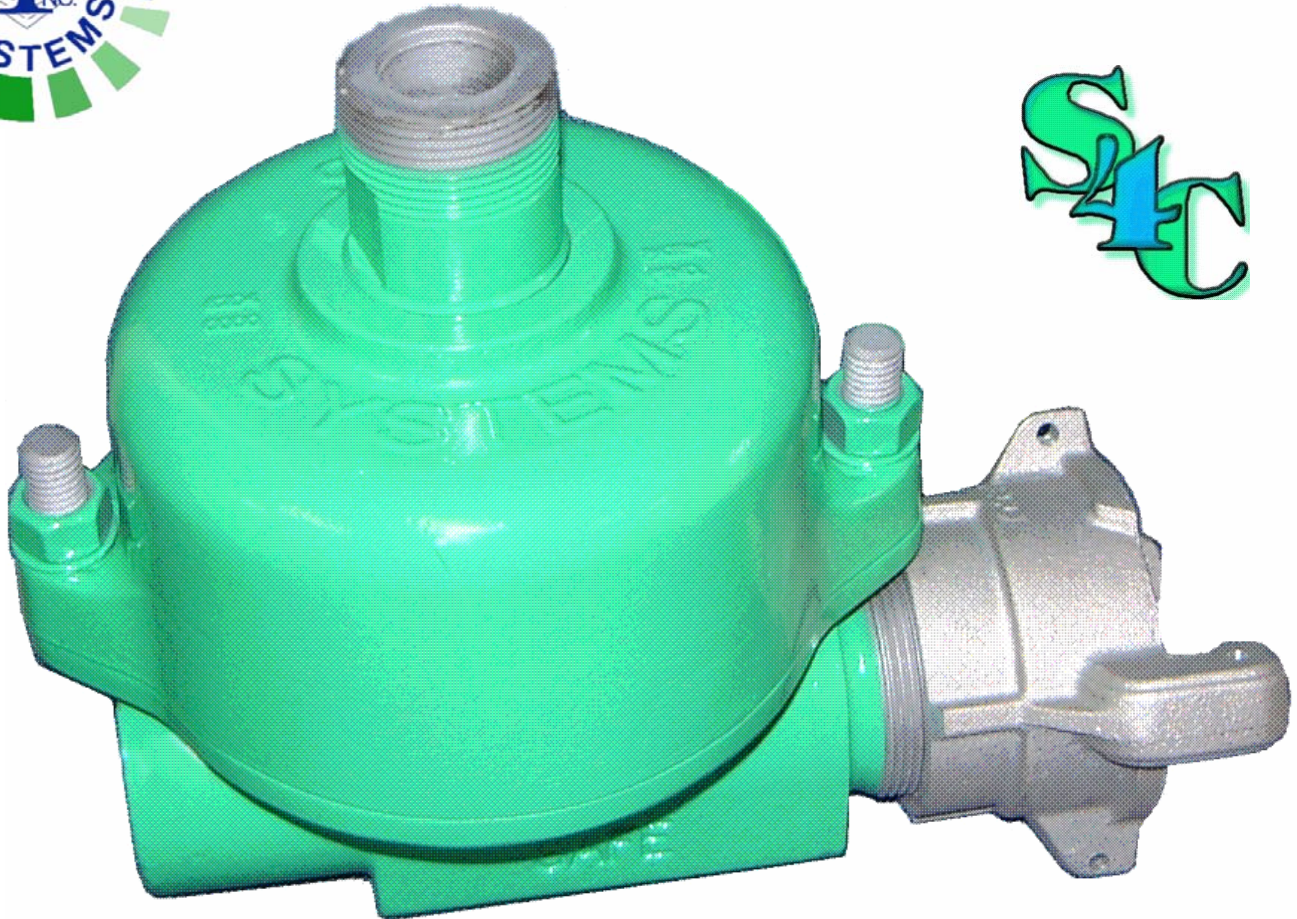




SAFE Systems, Inc.
SAC VALVE



SAFE Systems' New Metering/Blowdown "SAC Valve"
Replaces Standard Metering & Pinch Valve

SAFER than other valves

- ◆ Failsafe mechanical abrasive shutoff

LESS EXPENSIVE than other valves

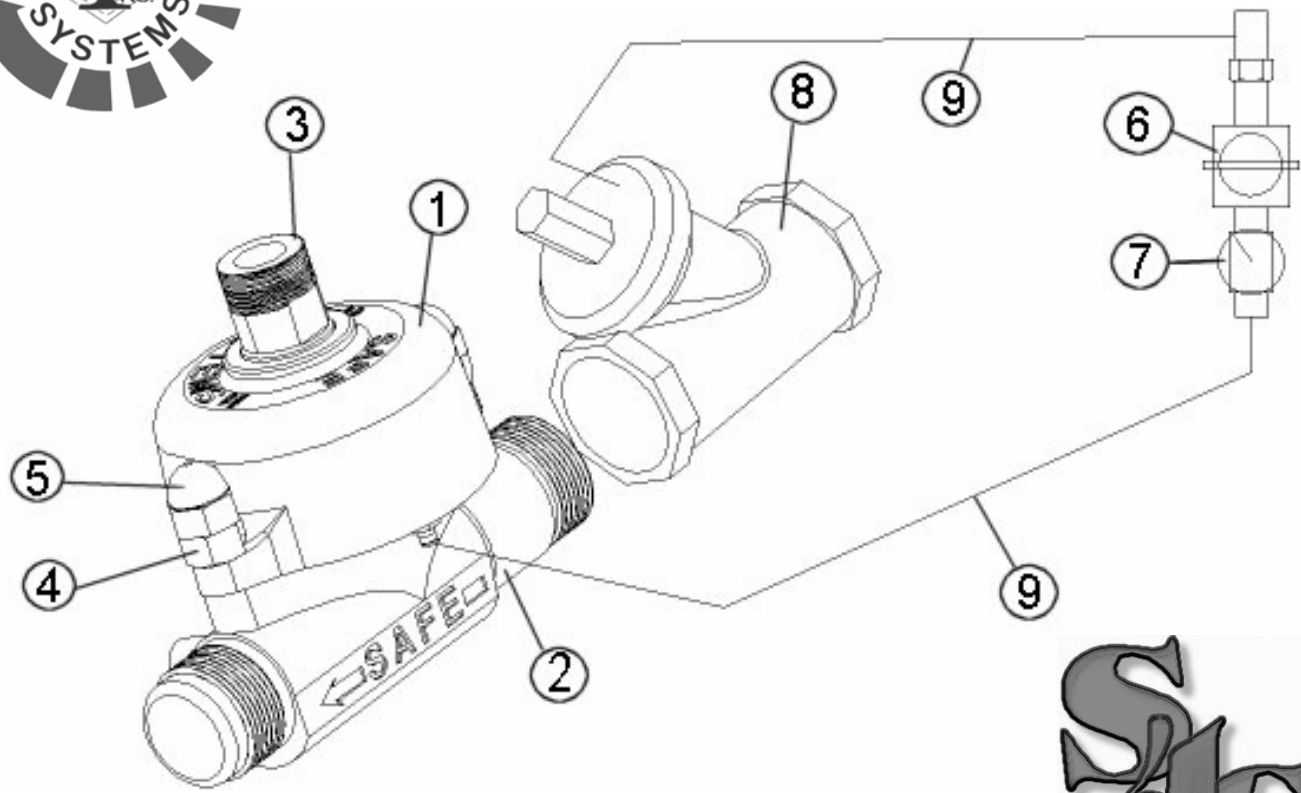
- ◆ Lowest price on the market
- ◆ One unit replaces both the standard metering and pinch valves
- ◆ Metering element is inexpensive and quick to replace
- ◆ All components are replaceable making the unit totally repairable

MORE VERSATILE than other valves

- ◆ Compact design allows it to fit under virtually all existing blast vessels
- ◆ Allows for blowdown feature using dual function deadman switch
- ◆ Infinite, full stroke adjustment of abrasive flow
- ◆ Highest abrasive flow

MORE DURABLE than other valves

- ◆ Metering element is abrasive resistant
- ◆ Cast iron base construction
- ◆ Optional replaceable urethane liner is available to further reduce wear of base



	PART NO.	DESCRIPTION	PRICE
	6204 0100	S4C Control Valve, Complete	\$ 390.00
	6204 0044	O-ring Kit	\$ 8.00
	6204 0005	Rubber Metering Washer	\$ 15.00
1	6204 0000	Valve Cap	\$ 125.00
	6203 0065	C-1 Hose Coupling	\$ 19.30
	7462 0014	SB-4 Hose Coupling	\$ 27.85
2	6204 0010	Valve Base	\$ 175.00
3	6204 0006	Valve Top Plunger	\$ 71.00
4	7420 0011	Hex Nut	\$.20
5	4300 4502	Acorn Nut	\$.55
6	6204 0172	Compressed Air Pressure Regulator	\$ 50.00
7	6204 0173	Pressure Gauge	\$ 17.00
8	3100 1052	Air Shutoff Valve	\$ 160.00
9	1535 4500	1/4" UV resistant poly tubing (per ft)	\$.45

18420 68th Ave S. Suite 202 Kent, WA 98032
(800) 634-7278

Phone: (425) 251-8662

Fax: (425) 251-8683

www.safesys.com

info@safesys.com